

AP400 | AP455 AP500 | AP555

ASPHALT PAVERS



Standard Paving Range

AP400, AP455, AP455 ST

with SE47 VT

2.4 m - 4.7 m (7' 10" - 15' 4")

AP500, AP555, AP555 ST

with SE47 VT

2.4 m - 4.7 m (7' 10" - 15' 4")

with SE50 VT

2.55 m - 5.0 m (8' 4" - 16' 4")

See Technical Specifications for detailed engine emissions information.



CAT® MID-SIZED ASPHALT PAVERS

MOBILE. TRANSPORTABLE. SERVICEABLE.

These models come equipped with features that fit the needs of both large and small contractors.



CAT ASPHALT PAVERS

The Cat® line of mid-sized asphalt pavers provide easy transport, application versatility, and a wide paving range, making them the perfect match for city streets, car parks, country roads and many other small to mid-sized applications:

- + COMPACT SIZE
- + SIMPLE OPERATION
- + MORE FLEXIBILITY

Ready to help you make your business stronger, Cat Asphalt Pavers give you new opportunities to get the most work done at the lowest cost—so you can put more money in your pocket.



COMPACT SIZE

The small footprint of the paver and screed combinations simplify maneuverability in tight spaces and minimize handwork near obstacles. In addition, the lighter weight and optimal width accommodates easier transport on a variety of trailer types.

SIMPLE OPERATION

High-definition displays with short-cut keys and similar functionality across the entire Cat Paver and Screed line simplifies operation. Enhanced all-around visibility with elimination of the exhaust stack, and swingout seats provide great operational features.

MORE FLEXIBILITY

Multiple undercarriage options combine with wide paving ranges to offer contractors more flexibility. In addition, a variety of options are available to enhance comfort and performance including powered canopies, power mainframe extensions, umbrellas, and various material feed sensor configurations.



EXCEPTIONAL MOBILITY

INCREASES JOB SITE EFFICIENCY

Mobility is one of the keys to job site efficiency, maneuvering in confined areas, backing up to curbs and repositioning at the starting point are real advantages of the Cat Mobil-Trac™ system.

SMOOTH TRANSITIONS

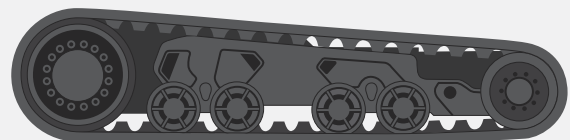
The Mobil-Trac undercarriage combines a large ground contact area with oscillating front and rear bogie sets that effortlessly crawl over milled cuts and surface irregularities to help limit tow-point movement and deliver smoother asphalt mats.

DURABLE COMPONENTS

When it comes to durability, rubber-coated components help shed asphalt and prevent accumulation that can cause premature wear. In addition, self-tensioning accumulators, center guide blocks, and rugged internal belt cables promote lasting durability.

MORE REASONS TO CHOOSE A CAT MOBIL-TRAC™ UNDERCARRIAGE

- ✓ 48-MONTH BELT WARRANTY
- ✓ HIGH SPEED TRAVEL
- ✓ OSCILLATING BOGIE DESIGN
- ✓ SMOOTH RIDE
- ✓ EXCELLENT TRACTION



WHEEL UNDERCARRIAGE

The wheel undercarriage combines high travel speeds with mobility and smooth turning capabilities to efficiently move around the job site. In addition, front-wheel assist and all-wheel drive options help maintain consistent traction, while the power turning system helps provide steady speeds through curves and turnouts.



MOBILITY AND MANEUVERABILITY

Exceptional mobility and fast travel speeds provide unmatched maneuverability around the job site. Additionally, the high ground clearance helps avoid storm drains, curbs, and other obstacles.



ALL-WHEEL DRIVE

All-wheel drive option (AP500) utilizes a flow divider that powers both sets of front bogie wheels for optimal tractive effort.



FRONT-WHEEL ASSIST

The adjustable front-wheel assist option (AP400, AP500) delivers power to the rear set of bogie wheels for increased traction to push heavy loads and power up inclines.



POWER TURNING SYSTEM

The power turning system utilizes a position sensor located in the steering cylinder that helps maintain consistent travel speeds when making turns. The auto-adjusting design modifies the drive speed of the propel motors according to the steering angle of the front wheels to prevent spin-outs for better maneuverability and less wear on the drive system.



STABLE PERFORMANCE

AND SMOOTH TRAVEL



Steel track models provide many of the same great features utilized on the Mobil-Trac versions with slightly less travel speeds. This stable design utilizes an auto-tensioning system for excellent tractive performance while keeping wear at a minimum.

STABILITY AND HIGH FLOTATION

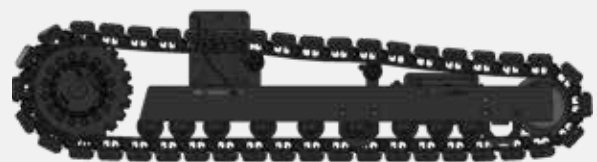
Loose base materials can make maneuvering around the job site difficult. The Cat steel track undercarriage utilizes large track pads that perform well on soft base materials. In addition, the optimized bogie spacing provides even weight distribution that helps minimize the rocking effect when traveling at higher speeds.

EXCELLENT DURABILITY

The steel track undercarriage design utilizes proven components from other Cat product lines. Heavy-duty sprockets and idlers, robust chain-links, and track pads bonded with unique compounds provide excellent wear qualities. Furthermore an optional track plow helps move loose material away from the track contact area for smoother paving results.

REASONS TO CHOOSE A CAT STEEL TRACK UNDERCARRIAGE

- ✓ BALANCED WEIGHT DISTRIBUTION
- ✓ STABLE PERFORMANCE
- ✓ EXCELLENT FLOTATION
- ✓ SELF-TENSIONING SYSTEM
- ✓ DURABLE COMPONENTS



Operating conditions can have a direct effect on performance and quality outcomes.

PERFORMANCE BOOSTING DESIGN ENHANCEMENTS

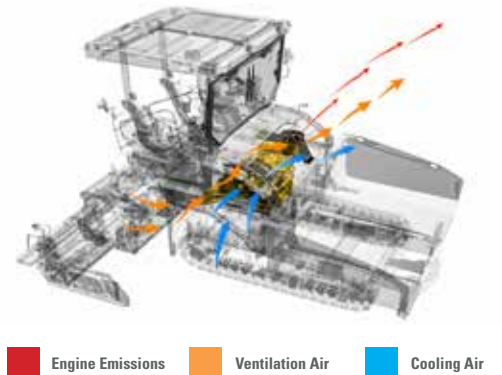


COOL AND QUIET

Elimination of the exhaust stack and swing out seats, provide good visibility into the hopper and auger chamber enabling the operator to easily modify material flow.

The standard single sliding console can be quickly repositioned to the opposite side of the platform to provide good visibility when joint matching or when precision next to obstacles is needed. Optional dual consoles are available on the AP500 and AP555.

Eco-mode and Automatic Engine Speed Control combine to optimize engine speed and lower sound levels, while the on-demand fan offers lower sound levels and draws ambient air from the side of the machine for enhanced cooling. To help keep the system operating at peak efficiency, an optional intake filter is available and can be easily removed for cleaning.



The engine emissions are directed out over the hopper. When equipped with the optional ventilation system, air from the conveyor tunnel and auger chamber follows a similar path and is redirected away from the operator for a more comfortable working environment.



FINGER-TIP CONTROL

SIMPLIFIES ADJUSTMENTS

SIMILAR FUNCTIONS

Consistency and familiarity with paver and screed functions help operators perform at their best. Whether paving straight-line country roads or city streets, Cat pavers and screeds utilize similar functions across the entire product line that enables personnel to easily move between crews and train new members when necessary.

SHORT-CUT KEYS

High-definition touchscreen displays utilize simplified menu structures with short-cut keys that provide single-touch activation for screed heat, washdown, and ventilation systems all from the main menu. As with all Cat pavers, these models also provide single-touch activation of the feeder system and hopper fold functions.

ADDITIONAL FLEXIBILITY

When equipped with Cat Grade Control, the "AUTO" buttons on the paver console can activate/deactivate Grade Controls. In addition, the tow-point adjusters become target value adjusters enabling easy modification to existing settings.

AUTOMATED FUNCTIONS

The versatility of adjustable and automated controls help operators efficiently manage material flow. Adjustable mix height dials assist when nearing obstacles and turnouts, while reversible augers and conveyors help manage material at the end of the pass. Furthermore, automated functions help provide consistency and fight fatigue when routine conditions exist.



CONSISTENCY DRIVES QUALITY

Consistent material flow is a critical component that can help contractors achieve quality targets. A low truck entry height combines with 355 mm (14") diameter augers too efficiently move material through the conveyors and auger chamber at both narrow and wide paving widths.



SINGLE-TOUCH ACTIVATION

The single-touch feeder system activates the entire feeder system with a single button push for better efficiency, while auto-fill simplifies starts by alternating the conveyors and augers until the mix height reaches the sensor set point.



INDEPENDENT CONTROL

Conveyor ratio control/mix height dials located on the tractor console enables easy adjustment to material height in the auger chamber. The ability to control each material feed sensor independently when utilizing cut-off shoes or when paving at narrow widths is also a great feature, just turn off the sensor and utilize the proportional control dial to modify material flow.



SIMPLIFIED CLEANOUT

The manual fold front hopper apron on the AP400 and AP455 simplifies cleanout, while the optional power folding apron on the AP500 and AP555 goes a step further to reduce effort. To make cleanout easier, a cleanout/warmup mode activates the augers and conveyors at slow speed, enabling the application of release agents to help prevent material build-up.



SMOOTH MATERIAL FLOW
PRODUCES BETTER QUALITY



FUEL EFFICIENT POWER

WITH LOWER SOUND LEVELS

Lower fuel consumption, reduced sound levels, and easier communication are real advantages of the Advanced Eco-mode system.

BETTER FUEL ECONOMY

- + **Eco-mode** utilizes an engine speed of 1650 rpm and is well-suited for most applications.
- + **Automatic Engine Speed Control (AESC)** reduces engine speed to 1000 rpm when the propel lever is moved to neutral, or 1500 if screed heating is active for better overall conditions.
- + **Advanced Eco-mode** combines Eco-mode and Automatic Engine Speed Control for optimal fuel efficiency. It increases engine speed to 1650 rpm when the propel lever moves from neutral and makes modifications based on engine load. If the upper power threshold is exceeded, the speed will increase to 2200 rpm until the load drops below the minimum threshold and remains there for 30 seconds.

INCREASE FUEL SAVINGS

Activate Eco-mode and Automatic Engine Speed Control for better engine efficiency and more fuel savings.



AUTOMATIC ENGINE SPEED CONTROL



ECO-MODE

ADVANCED ECO-MODE DELIVERS

FROM 20% TO 30% MORE FUEL SAVINGS*

* Fuel savings may vary by paver model, paving conditions and application. Consult your Cat dealer for more information.



CAT GRADE CONTROL

INTEGRATED PAVING PRECISION

The Cat Grade Control option helps deliver smoother surfaces and better control of mat thickness for increased performance, lower operating costs, and higher profitability. Text-based user-friendly displays, accurate control, and greater reliability can help ensure quality targets are being met.

TEXT-BASED DISPLAYS

User-friendly system with text-based displays allow operation from the paver or screed consoles (screed display required). Split-screen mode enables a single-side operator to monitor settings for both sides of the screed.

QUICK ACCESS

Visibility to machine settings are located in the scroll bar at the bottom of the screen. Touchscreen sensor selection through the icons at the top of the display screen enables hot-swap when nearing driveway approaches and other obstacles.

EASY SETUP

Simply position sensor over reference point, bench, and place in “Auto” for reliable control. Cross-coupling helps maintain slope more consistently when making height adjustments on the grade side.

RELIABLE SYSTEM

The highly reliable system utilizes water-resistant displays and sealed components with-stand heat, moisture, and vibration. The system is compatible with Cat Electronic Technician (Cat ET) for simplified diagnostics.

TAMPER-BAR SCREEDS

INCREASED DENSITY, SMOOTH FLOW

Cat tamper-bar screeds deliver smooth material flow and increased mat density. The rigid extenders and symmetrical, dual-extender designs make them a perfect match for airports, interstates, highways, and many other mid-sized paving applications.

SMOOTH MAT FINISH

The enhanced tamper-bar and deflector plate profiles provide uniform flow to the screed plates. The system efficiently tucks material under the screed plates to deliver a smooth mat finish.

EASY ADJUSTMENT

The screed consoles are equipped with mix height adjustment for the augers, providing the ability to modify material flow. When equipped with Cat Grade Control, conveyor ratio adjustment or conveyor material height can be performed through the display.

PAVE START ASSISTANT (SE50 VT ONLY)

Pave Start Assistant saves set-up profiles for repeatable use on future job sites, simply activate the profile for quick, single person setup. Set-up preferences include: tamper and vibratory speed, auger height, material feed settings, tow-point height, screed heat temperature, paving speed, paving width, crown, screed assist, and screed locking features. Setup features are located in the left screed display and can be viewed through the right-side screed display and tractor displays.



PARTS AND SERVICE

EXTEND MACHINE LIFE

REPAIR WITH GENUINE CAT PARTS

Whether you are a Do-it-myself, Do-it-with-me, or a Do-it-for-me customer, Cat dealers are ready to assist with parts orders to complete rebuilds of your equipment.

DO-IT-MYSELF – If you prefer to do the work in-house, your Cat dealer can help you determine parts needs. One of our experts will utilize Caterpillar Service Information, or can perform a (TA1) visual inspection, or (TA2) technical inspection to help identify parts replacement needs.

DO-IT-WITH-ME – In addition to providing parts, Cat dealers can supplement your repair capabilities with fully trained technicians and specialized tooling.

DO-IT-FOR-ME – Cat dealers can manage the replacement of vital wear parts or a complete rebuild. Ask your dealer about an inspection and a repair option plan to meet your needs.

CERTIFIED PAVER REBUILDS – Take advantage of the extra value built into Cat equipment. The Cat Certified Rebuild Programs return your end-of-life machines, systems, and components to like-new condition at a fraction of the cost. From single component to complete machine options, we've got you covered.



GET FULL ACCESS TO SERVICE AND REPAIR KITS

The Parts Reference Guide includes diagrams, part descriptions and part number lists for common wear and maintenance components to make online or in person ordering fast and easy.

DOWNLOAD THE PARTS REFERENCE GUIDE TODAY!



CAT EQUIPMENT MANAGEMENT TECHNOLOGY

ELIMINATE THE GUESSWORK

Cat equipment management technology helps take the complexity out of managing multiple jobsites – by gathering data generated from equipment, materials, as well as people and serving it up in customizable formats.



VISIONLINK® EQUIPMENT MANAGEMENT

VisionLink® takes the guesswork out of managing entire fleets regardless of size or equipment manufacturer.* Review equipment data from desktop or mobile devices to maximize uptime and optimize assets. With interactive dashboards, VisionLink makes it easier for operations of all sizes to make informed decisions that lower costs and boost productivity. With various subscription-level options, Cat dealers can help determine what's needed to connect your fleet and help manage your business.

- + 24/7 Fleet Monitoring
- + Mixed Fleet Management
- + Optimize Fleet Utilization
- + Track Assets by Location
- + View Asset Health Status
- + Review Inspection Reports
- + Assign Maintenance Tasks
- + Schedule Downtime
- + Request Service Parts Orders
- + Download Summary Reports

* Data field availability can vary by equipment manufacturer and is provided through an application programming interface (API).

REMOTE SERVICES EQUIPMENT MANAGEMENT

Remote Services** is a suite of technologies that help improve jobsite efficiency.

- + **Remote Troubleshoot** allows your Cat dealer to perform diagnostic testing on your connected machine remotely, pinpointing potential issues while the machine is in operation. Remote troubleshooting ensures the technician arrives with the correct parts and tools the first time, eliminating additional trips to save you time and money.
- + **Remote Flash** allows you to update onboard software without a technician being present, allowing you to initiate software updates when convenient, increasing your overall operating efficiency.

** Must be within cell range coverage.

Caterpillar releases products, services and technologies in each region at different time intervals. Please verify with your local Cat dealer for technology availability and specifications.

AP400 TECHNICAL SPECIFICATIONS

POWERTRAIN

Engine Model	Cat C3.6
Meets U.S. EPA Tier 4 Final and EU Stage V emission standards.	
Engine Power @ 2200 rpm (ISO 14396-2002)	90 kW 120 hp
Engine Model	Cat C3.6
Meets UN ECE R96 Stage IIIA emission standard, equivalent to U.S. EPA Tier 3 and EU Stage IIIA	
Engine Power @ 2200 rpm (ISO 14396-2002)	90 kW 120 hp
Speed – Paving	25 m/min 82 ft/min
Speed – Travel	16 km/hr 10 mph
Tire Size	15.5 R25

MACHINE WEIGHT

Paver only (shipping)	11 256 kg 24,819 lb
Operating w/ SE47 VT Screed	14 581 kg 32,146 lb

Operating weights are approximate and include coolant, lubricants, full fuel tank, 75 kg (165 lb) operator, and grade control components.

CAPACITIES

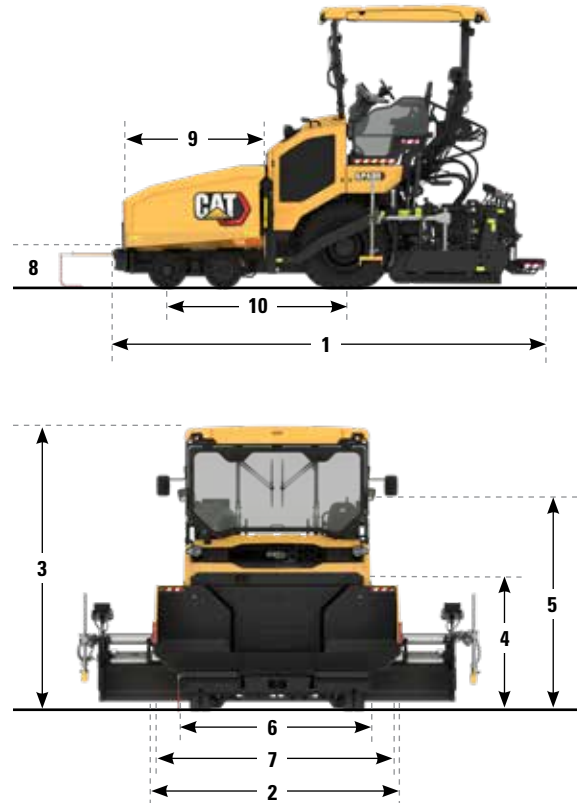
Maximum Throughput Capacity	774 Tonnes 853 US Tons
Hopper Capacity	5.8 m ³ 205 ft ³
Fuel Tank	200 L 53 gal
Cooling System	24 L 6.3 gal
Engine Oil	11 L 2.9 gal
Hydraulic Tank	121 L 32 gal
Diesel Exhaust Fluid (DEF) Tank	19 L 5 gal
Washdown Spray Tank	32 L 8.5 gal

PAVING RANGE

SE47 VT	
Standard Range	2.4 m - 4.7 m 7' 10" - 15' 4"
Maximum Width w/ Extensions	6.1 m 19' 8"
Tamper Speed	300 to 1800 rpm
Tamper Amplitude	4 mm

DIMENSIONS

1 Operating Length w/ SE47 VT Screed	5903 mm 19' 4"
Shipping Length w/ SE47 VT Screed	5672 mm 18' 7"
2 Operating Width (hoppers lowered)	3281 mm 10' 9"
3 Operating Height (canopy)	3903 mm 12' 9"
4 Operating Platform height	1731 mm 5' 8"
5 Transport Height (canopy lowered)	2971 mm 9' 9"
6 Transport Width w/ End Gates	2550 mm 8' 4"
7 Truck Entry Width	3161 mm 10' 4"
8 Truck Entry Height (hopper)	544 mm 21"
Truck Entry Height (apron)	512 mm 20"
Ground Clearance	203 mm 8"
9 Hopper Length	1803 mm 5' 11"
10 Axle to Axle (center drive to front idler)	2372 mm 93"
Auger Diameter	355 mm 14"



AP455 MOBIL-TRAC™ TECHNICAL SPECIFICATIONS

POWERTRAIN

Engine Model	Cat C3.6
Meets U.S. EPA Tier 4 Final and EU Stage V emission standards.	
Engine Power @ 2200 rpm (ISO 14396-2002)	90 kW 120 hp
Engine Model	
Meets UN ECE R96 Stage IIIA emission standard, equivalent to U.S. EPA Tier 3 and EU Stage IIIA	
Engine Power @ 2200 rpm (ISO 14396-2002)	90 kW 120 hp
Speed – Paving	61 m/min 200 ft/min
Speed – Travel	11 km/hr 7 mph

MACHINE WEIGHT

Paver Only (shipping)	11 266 kg 24,837 lb
Operating w/ SE47 VT Screed	14 929 kg 32,913 lb

Operating weights are approximate and include coolant, lubricants, full fuel tank, 75 kg (165 lb) operator, and grade control components.

CAPACITIES

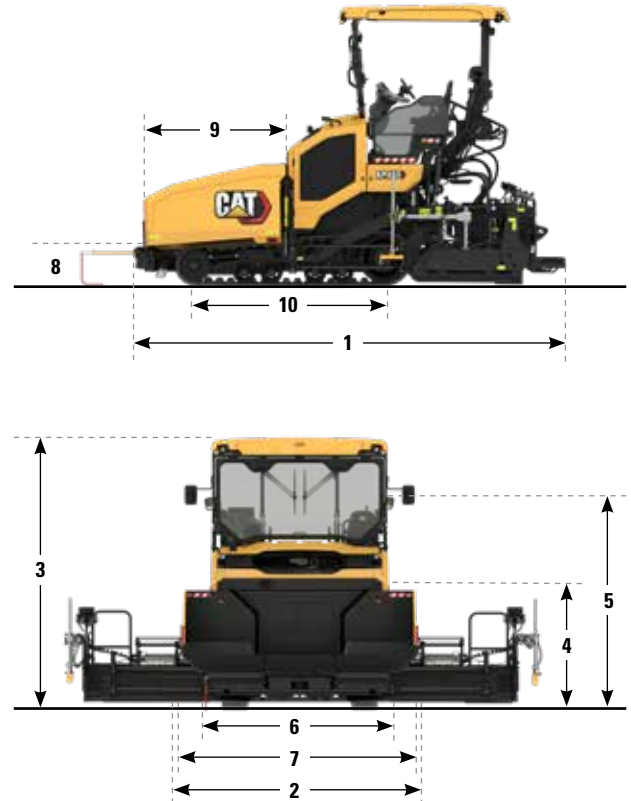
Maximum Throughput Capacity	774 Tonnes 853 US Tons
Hopper Capacity	5.8 m ³ 205 ft ³
Fuel Tank	200 L 53 gal
Cooling System	24 L 6.3 gal
Engine Oil	11 L 2.9 gal
Hydraulic Tank	121 L 32 gal
Diesel Exhaust Fluid (DEF) Tank	19 L 5 gal
Washdown Spray Tank	32 L 8.5 gal

PAVING RANGE

SE47 VT	
Standard Range	2.4 m - 4.7 m 7' 10" - 15' 4"
Maximum Width w/ Extensions	6 m 19' 8"
Tamper Speed	300 to 1800 rpm
Tamper Amplitude	4 mm

DIMENSIONS

1 Operating Length w/ SE47 VT Screed	5811 mm 19' 1"
Shipping Length w/ SE47 VT Screed	5585 mm 18' 4"
2 Operating Width (hoppers lowered)	3281 mm 10' 9"
3 Operating Height (canopy)	3806 mm 12' 6"
4 Operating Platform Height	1655 mm 5' 5"
5 Transport Height (canopy lowered)	2933 mm 9' 7"
6 Transport Width	2550 mm 8' 4"
7 Truck Entry Width	3161 mm 10' 4"
8 Truck Entry Height (hopper)	567 mm 22"
Truck Entry Height (apron)	525 mm 21"
Ground Clearance	210 mm 8"
9 Hopper Length	1803 mm 5' 11"
10 Axle to Axle (center drive to front idler)	2533 mm 100"
Auger Diameter	355 mm 14"



AP455 STEEL TRACK TECHNICAL SPECIFICATIONS

POWERTRAIN

Engine Model	Cat C3.6
Meets U.S. EPA Tier 4 Final and EU Stage V emission standards.	
Engine Power @ 2200 rpm (ISO 14396-2002)	90 kW 120 hp
Engine Model	Cat C3.6
Meets UN ECE R96 Stage IIIA emission standard, equivalent to U.S. EPA Tier 3 and EU Stage IIIA	
Engine Power @ 2200 rpm (ISO 14396-2002)	90 kW 120 hp
Speed – Paving	61 m/min 200 ft/min
Speed – Travel	6 km/hr 3.7 mph

MACHINE WEIGHT

Paver Only (shipping)	12 252 kg 27,011 lb
Operating w/ SE47 VT Screed	15 577 kg 34,341 lb

Operating weights are approximate and include coolant, lubricants, full fuel tank, 75 kg (165 lb) operator, and grade control components.

CAPACITIES

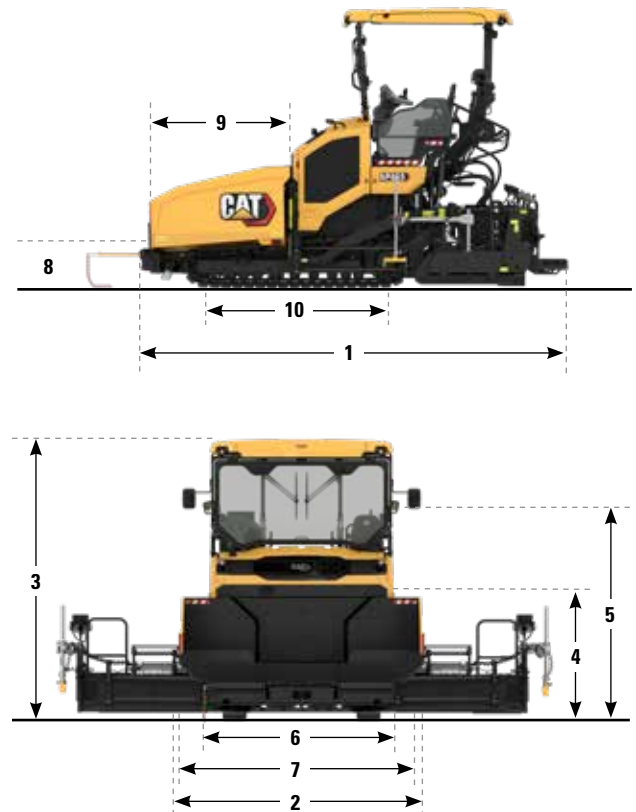
Maximum Throughput Capacity	774 Tonnes 853 US Tons
Hopper Capacity	5.8 m ³ 205 ft ³
Fuel Tank	200 L 53 gal
Cooling System	24 L 6.3 gal
Engine Oil	11 L 2.9 gal
Hydraulic Tank	121 L 32 gal
Diesel Exhaust Fluid (DEF) Tank	19 L 5 gal
Washdown Spray Tank	32 L 8.5 gal

PAVING RANGE

SE47 VT	
Standard Range	2.4 m - 4.7 m 7' 10" - 15' 4"
Maximum Width w/ Extensions	6 m 19' 8"
Tamper Speed	300 to 1800 rpm
Tamper Amplitude	4 mm

DIMENSIONS

1 Operating Length w/ SE47 VT Screed	5812 mm 19' 1"
Shipping Length w/ SE47 VT Screed	5586 mm 18' 4"
2 Operating Width (hoppers lowered)	3281 mm 10' 9"
3 Operating Height (canopy)	3808 mm 12' 6"
4 Operating Platform height	1655 mm 5' 5"
5 Transport Height (canopy lowered)	2933 mm 9' 7"
6 Transport Width	2550 mm 8' 4"
7 Truck Entry Width	3161 mm 10' 4"
8 Truck Entry Height (hopper)	567 mm 22"
Truck Entry Height (apron)	525 mm 21"
Ground Clearance	210 mm 8"
9 Hopper Length	1803 mm 5' 11"
10 Axle to Axle (center drive to front idler)	2485 mm 98"
Auger Diameter	355 mm 14"



AP500 TECHNICAL SPECIFICATIONS

POWERTRAIN	
Engine Model	Cat C4.4
Meets U.S. EPA Tier 4 Final and EU Stage V emission standards.	
Engine Power @ 2200 rpm (ISO 14396-2002)	110 kW 148 hp
Engine Model	Cat C4.4
Meets Brazil MAR-1 and UN ECE R96 Stage IIIA emission standards, equivalent to U.S. EPA Tier 3 and EU Stage IIIA.	
Engine Power @ 2200 rpm (ISO 14396-2002)	106 kW 142 hp
Speed – Paving	61 m/min 200 ft/min
Speed – Travel	16 km/hr 10 mph
Tire Size	17.5 R25

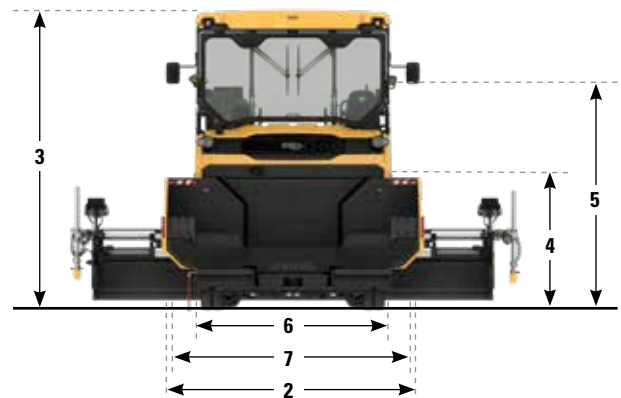
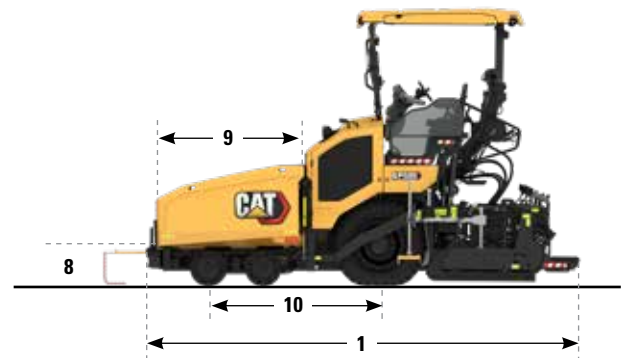
MACHINE WEIGHT	
Paver Only (shipping)	12 026 kg 26,513 lb
Operating w/ SE47 VT Screenshot	15 351 kg 33,843 lb
Operating w/ SE50 VT Screenshot	15 430 kg 34,017 lb

Operating weights are approximate and include coolant, lubricants, full fuel tank, 75 kg (165 lb) operator, and grade control components.

CAPACITIES	
Maximum Throughput Capacity	1000 Tonnes 1100 US Tons
Hopper Capacity	6.1 m ³ 215 ft ³
Fuel Tank	200 L 53 gal
Cooling System	24 L 6.3 gal
Engine Oil	9 L 2.4 gal
Hydraulic Tank	121 L 32 gal
Diesel Exhaust Fluid (DEF) Tank	19 L 5 gal
Washdown Spray Tank	32 L 8.5 gal

PAVING RANGE	
SE47 VT	
Standard Range	2.4 m - 4.7 m 7' 10" - 15' 4"
Maximum Width w/ Extensions	6 m 19' 8"
Tamper Speed	300 to 1800 rpm
Tamper Amplitude	4 mm
SE50 VT	
Standard range	2.55 m - 5 m 8' 4" - 16' 4"
Maximum Width w/ Extensions	6.77 m 22' 3"
Tamper Speed	300 to 1800 rpm
Tamper Amplitude	2 mm, 4 mm

DIMENSIONS	
1 Operating Length w/ SE47 VT Screenshot	5938 mm 19' 6"
Shipping Length w/ SE47 VT Screenshot	5707 mm 18' 9"
1 Operating Length w/ SE50 VT Screenshot	5865 mm 19' 3"
Shipping Length w/ SE50 VT Screenshot	5630 mm 18' 6"
Shipping Length w/ SE50 VT Screenshot, folding end gate	5952 mm 19' 6"
2 Operating Width (hoppers lowered)	3281 mm 10' 9"
3 Operating Height (canopy)	3903 mm 12' 9"
4 Operating Platform Height	1731 mm 5' 8"
5 Transport Height	2890 mm 9' 6"
6 Transport Width – SE47 VT	2550 mm 8' 4"
Transport Width – SE50 VT, folding end gates	2550 mm 8' 4"
7 Truck Entry Width	3149 mm 10' 4"
8 Truck Entry Height (hopper)	537 mm 21"
Truck Entry Height (apron)	507 mm 20"
Ground Clearance	182 mm 7"
9 Hopper Length	1925 mm 6' 4"
10 Axle to Axle (center drive to front idler)	2338 mm 7' 8"
Auger Diameter	355 mm 14"



AP555 MOBIL-TRAC™ TECHNICAL SPECIFICATIONS

POWERTRAIN

Engine Model	Cat C4.4
Meets U.S. EPA Tier 4 Final and EU Stage V emission standards.	
Engine Power @ 2200 rpm (ISO 14396-2002)	110 kW 148 hp
Engine Model	Cat C4.4
Meets Brazil MAR-1 and UN ECE R96 Stage IIIA emission standards, equivalent to U.S. EPA Tier 3 and EU Stage IIIA.	
Engine Power @ 2200 rpm (ISO 14396-2002)	106 kW 142 hp
Speed – Paving	61 m/min 200 ft/min
Speed – Travel	11 km/hr 7 mph

MACHINE WEIGHT

Paver Only (shipping)	12 589 kg 27,754 lb
Operating w/ SE47 V Screed	15 914 kg 35,084 lb
Operating w/ SE47 FM Screed	15 993 kg 33,258 lb

Operating weights are approximate and include coolant, lubricants, full fuel tank, 75 kg (165 lb) operator, and grade control components.

CAPACITIES

Maximum Throughput Capacity	1000 Tonnes 1100 US Tons
Hopper Capacity	6.1 m ³ 215 ft ³
Fuel Tank	200 L 53 gal
Cooling System	24 L 6.3 gal
Engine Oil	9 L 2.4 gal
Hydraulic Tank	121 L 32 gal
Diesel Exhaust Fluid (DEF) Tank	19 L 5 gal
Washdown Spray Tank	32 L 8.5 gal

PAVING RANGE

SE47 VT

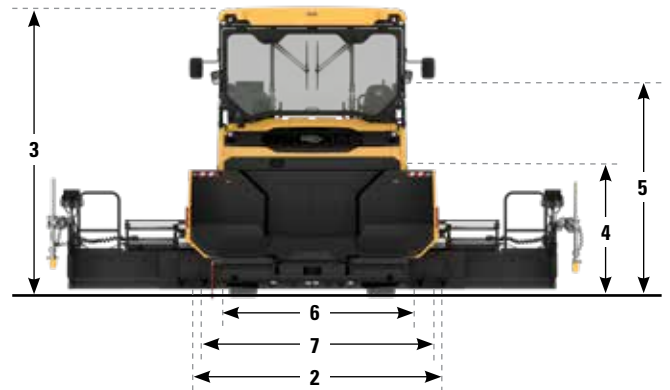
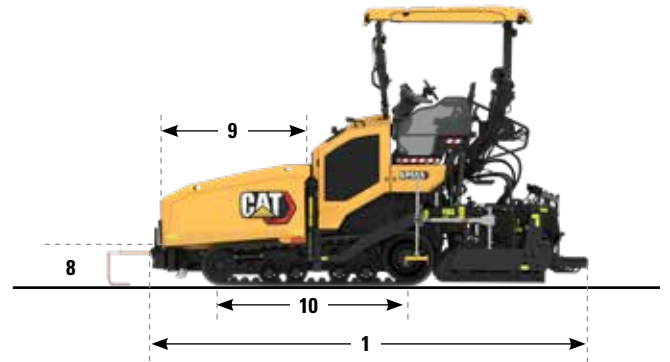
Standard Range	2.4 m - 4.7 m 7' 10" - 15' 4"
Maximum Width w/ Extensions	6 m 19' 8"
Tamper Speed	300 to 1800 rpm
Tamper Amplitude	4 mm

SE50 VT

Standard range	2.55 m - 5.0 m 8' 4" - 16' 4"
Maximum Width w/ Extensions	7.64 m 25'
Tamper Speed	300 to 1800 rpm
Tamper Amplitude	2 mm, 4 mm

DIMENSIONS

1 Operating Length w/ SE47 VT Screed	5936 mm 19' 6"
Shipping Length w/ SE47 VT Screed	5709 mm 18' 9"
1 Operating Length w/ SE50 VT Screed	5942 mm 19' 6"
Shipping Length w/ SE50 VT Screed	5714 mm 18' 9"
Shipping Length w/ SE50 VT Screed, folding end gate	5954 mm 19' 6"
2 Operating Width (hoppers lowered)	3281 mm 10' 9"
3 Operating Height (canopy)	3806 mm 12' 6"
4 Operating Platform Height	1655 mm 5' 5"
5 Transport Height (canopy folded)	2933 mm 9' 7"
6 Transport Width – SE47 VT	2550 mm 8' 4"
Transport Width – SE50 VT, folding end gates	2550 mm 8' 4"
7 Truck Entry Width	3149 mm 10' 4"
8 Truck Entry Height (hopper)	567 mm 22"
Truck Entry Height (apron)	525 mm 21"
9 Hopper Length	1925 mm 6' 4"
10 Axle to Axle (center drive to front idler)	2533 mm 100"
Auger Diameter	355 mm 14"



AP555 STEEL TRACK TECHNICAL SPECIFICATIONS

POWERTRAIN

Engine Model	Cat C4.4
Meets U.S. EPA Tier 4 Final and EU Stage V emission standards.	
Engine Power @ 2200 rpm (ISO 14396-2002)	110 kW 148 hp
Engine Model	Cat C4.4
Meets Brazil MAR-1 and UN ECE R96 Stage IIIA emission standards, equivalent to U.S. EPA Tier 3 and EU Stage IIIA.	
Engine Power @ 2200 rpm (ISO 14396-2002)	106 kW 142 hp
Speed – Paving	61 m/min 200 ft/min
Speed – Travel	11 km/hr 7 mph

MACHINE WEIGHT

Paver Only (shipping)	12 589 kg 27,754 lb
Operating w/ SE47 VT Screenshot	15 914 kg 35,084 lb
Operating w/ SE50 VT Screenshot	15 993 kg 35,258 lb

Operating weights are approximate and include coolant, lubricants, full fuel tank, 75 kg (165 lb) operator, and grade control components.

CAPACITIES

Maximum Throughput Capacity	1000 Tonnes 1100 US Tons
Hopper Capacity	6.1 m ³ 215 ft ³
Fuel Tank	200 L 53 gal
Cooling System	24 L 6.3 gal
Engine Oil	9 L 2.4 gal
Hydraulic Tank	121 L 32 gal
Diesel Exhaust Fluid (DEF) Tank	19 L 5 gal
Washdown Spray Tank	32 L 8.5 gal

PAVING RANGE

SE47 VT

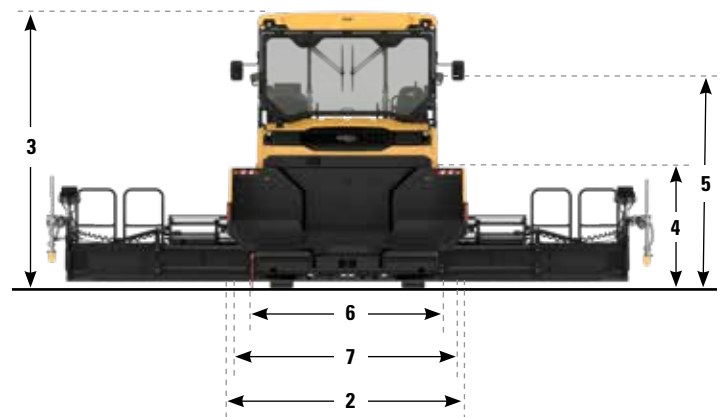
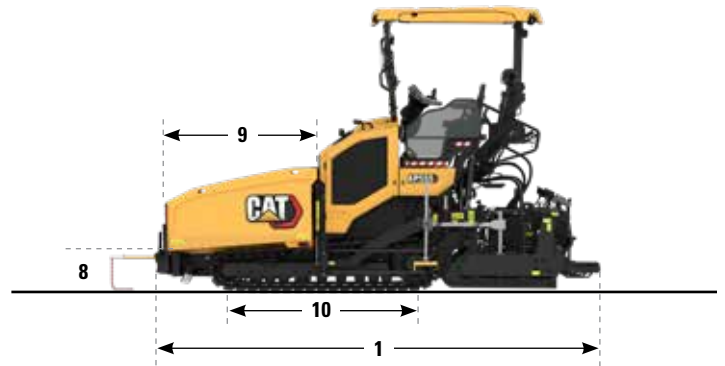
Standard Range	2.4 m - 4.7 m 7' 10" - 15' 4"
Maximum Width w/ Extensions	6.0 m 19' 8"
Tamper Speed	300 to 1800 rpm
Tamper Amplitude	4 mm

SE50 VT

Standard Range	2.55 m - 5.0 m 8' 4" - 16' 4"
Maximum Width w/ Extensions	7.64 m 25'
Tamper Speed	300 to 1800 rpm
Tamper Amplitude	2 mm, 4 mm

DIMENSIONS

1 Operating Length w/ SE47 VT Screenshot	5909 mm 19' 4"
Shipping Length w/ SE47 VT Screenshot	5648 mm 18' 6"
1 Operating Length w/ SE50 VT Screenshot	5865 mm 19' 3"
Shipping Length w/ SE50 VT Screenshot	5630 mm 18' 6"
Shipping Length w/ SE50 VT Screenshot, folded end gate	5630 mm 18' 6"
2 Operating Width (hoppers lowered)	3281 mm 10' 9"
3 Operating Height (canopy)	3352 mm 11'
4 Operating Platform Height	1731 mm 5' 8"
5 Transport Height (canopy folded)	2890 mm 9' 6"
6 Transport Width w/ End Gates	2590 mm 8' 6"
7 Truck Entry Width	3149 mm 10' 4"
8 Truck Entry Height (hopper)	537 mm 21"
Truck Entry Height (apron)	507 mm 20"
Ground Clearance	197 mm 7.8"
9 Hopper Length	1925 mm 6' 4"
10 Axle to Axle (center drive to front idler)	2338 mm 92"
Auger Diameter	355 mm 14"



AP400 / AP500 STANDARD & OPTIONAL EQUIPMENT

Standard and optional equipment may vary. Consult your Cat dealer for details.

OPERATOR ENVIRONMENT	STANDARD	OPTIONAL
Canopy – hydraulic lift – manual		○
Canopy – hydraulic lift – power		○
Deceleration Pedal		○
Dual Operating Consoles (AP500)		○
Heated Seat		○
Side Shields		○
Single Sliding Console	●	
Steering Guide	●	
Umbrella – tractor or screed		○
Ventilation System	●	
Windshield – requires canopy		○

TECHNOLOGY	STANDARD	OPTIONAL
Cat® Grade Control		○
Basic Grade Control		○
Product Link™ Elite 643 (cellular)	●	
Product Link Elite 683 (cellular/satellite)		○

POWERTRAIN	STANDARD	OPTIONAL
All-wheel Drive (AP500)		○
Ballast – front weights		○
Cat C3.6 – four-cylinder (AP400)	●	
Cat C4.4 – four-cylinder (AP500)	●	
Cooling Fan – variable speed	●	
Front-wheel Assist		○
Radial Drive Tires	●	

ELECTRICAL SYSTEM	STANDARD	OPTIONAL
1400 CCA Battery	●	
150-amp Alternator	●	
12-volt Charging System	●	
Automotive-type Fuse System	●	
Auto-reset Breaker for Material Sensors	●	
Cat Electronic Technician (Cat ET)	●	

MATERIAL DELIVERY	STANDARD	OPTIONAL
Auger Extensions – 0.15 m (6")	●	
Auger Extensions – 0.46 m (1.5')		○
Mainframe Extensions – power		○
Mainframe Extensions – manual		○
Material Feed Sensors – contact	●	
Material Feed Sensors – sonic		○
Push-roller – adjustable	●	
Tamper Bar System		○
Wash-down Pump and Reel		○

SERVICE AND MAINTENANCE	STANDARD	OPTIONAL
Hydraulic Oil – Cat HYDO™ Advanced	●	
Remote Access Drains	●	
Remote Flash	●	
Service Repair Kits	●	
Sampling Ports for Scheduled Oil Sampling (S-O-S SM)	●	
Sight Gauges – engine coolant, hydraulic oil	●	

SAFETY AND SECURITY	STANDARD	OPTIONAL
Alarm – back-up	●	
Horn – warning (front and rear)	●	
Lights – LED Working	●	
Lights – LED Rooding		○
Mirror Package	●	
Warning Beacon – LED		○

AP455 / AP555 STANDARD & OPTIONAL EQUIPMENT

Standard and optional equipment may vary. Consult your Cat dealer for details.

OPERATOR ENVIRONMENT	STANDARD	OPTIONAL
Canopy – hydraulic lift – manual		○
Canopy – hydraulic lift – power		○
Deceleration Pedal		○
Dual operating consoles (AP555)		○
Heated Seat		○
Side Shields		○
Single Sliding Console	●	
Steering Guide	●	
Steering – friction – Mobil-Trac™		○
Steering – spring return – Mobil-Trac	●	
Umbrella – tractor or screed		○
Ventilation System		○
Windshield – requires canopy		○

TECHNOLOGY	STANDARD	OPTIONAL
Cat® Grade Control		○
Basic Grade Control		○
Product Link™ Elite 643 (cellular)	●	
Product Link Elite 683 (cellular/satellite)		○

POWERTRAIN	STANDARD	OPTIONAL
Ballast – front weights		○
Cat C3.6 – four-cylinder (AP455)	●	
Cat C4.4 – four-cylinder (AP555)	●	
Cooling Fan – variable speed	●	
Smooth Track Belt – Mobil-Trac	●	

ELECTRICAL SYSTEM	STANDARD	OPTIONAL
1400 CCA Battery	●	
150-amp Alternator	●	
12-volt Charging System	●	
Automotive-type Fuse System	●	
Auto-reset Breaker for Material Sensors	●	
Cat Electronic Technician (Cat ET)	●	

MATERIAL DELIVERY	STANDARD	OPTIONAL
Auger Extensions – 0.15 m (6")	●	
Auger Extensions – 0.46 m (1.5')		○
Mainframe Extensions – power		○
Mainframe Extensions – manual		○
Material Feed Sensors – contact	●	
Material Feed Sensors – sonic		○
Push-roller – adjustable	●	
Tamper Bar System	●	
Wash-Down Pump and Reel		○

SERVICE AND MAINTENANCE	STANDARD	OPTIONAL
Hydraulic Oil – Cat HYDO™ Advanced	●	
Remote Access Drains	●	
Remote Flash	●	
Service Repair Kits	●	
Sampling Ports for Scheduled Oil Sampling (S-O-S SM)	●	
Sight Gauges – engine coolant, hydraulic oil	●	

SAFETY AND SECURITY	STANDARD	OPTIONAL
Alarm – back-up	●	
Horn – warning (front and rear)	●	
Lights – LED Working	●	
Lights – LED Rooding		○
Mirror Package	●	
Warning Beacon – LED		○

For more complete information on Cat products, dealer services and industry solutions, visit us on the web at www.cat.com

Materials and specifications are subject to change without notice. Featured machines in photos may include additional equipment. See your Cat dealer for available options.

© 2024 Caterpillar. All Rights Reserved. CAT, CATERPILLAR, LET'S DO THE WORK, their respective logos, "Caterpillar Corporate Yellow", the "Power Edge" and Cat "Modern Hex" trade dress as well as corporate and product identity used herein, are trademarks of Caterpillar and may not be used without permission.

VisionLink is a trademark of Caterpillar Inc., registered in the United States and in other countries.

QEH03252 (01/2024)
Build Number: 07A
Afr-ME, APD (excl. China),
Eurasia, Eur, Korea, S Am

