

Demolition & Sorting Grapples G300 GC-series

G310 GC, G313 GC, G315 GC



Features:

New standard for efficiency

Superior performance

Designed for you

Excellent parts & Service Network

Benefits:

The G300 GC Grapples set the standard for efficiency. G300 GC Grapples are modern yet straight forward in terms of material and technology minimizing your owning and operating cost.

The powerful closing force combined with short opening / closing time ensures short cycle times. G300 GC Grapples deliver high durability as you come to expect from a Cat® Grapple.

G300 GC Grapples are purpose built specifically to sort out debris, load or unload containers or strip a building before final demolition. The G300 GC Grapples are performance matched to Cat machines.

The G300 GC Grapples are backed by world-class Cat Service. You get full access to Cat's world leading parts and service network, minimizing downtime.



G310 GC, G313 GC, G315 GC



The G300 GC Demolition and Sorting grapples brings you the perfect blend of performance and a whole new level of value.

Meet your new efficiency expert.

Every so often a new grapple comes along that changes the way you work like the GC-series grapples. From reducing long-term operating cost to increasing uptime, these grapples deliver. Cat manufacturing and best-in-class service has never been more affordable.

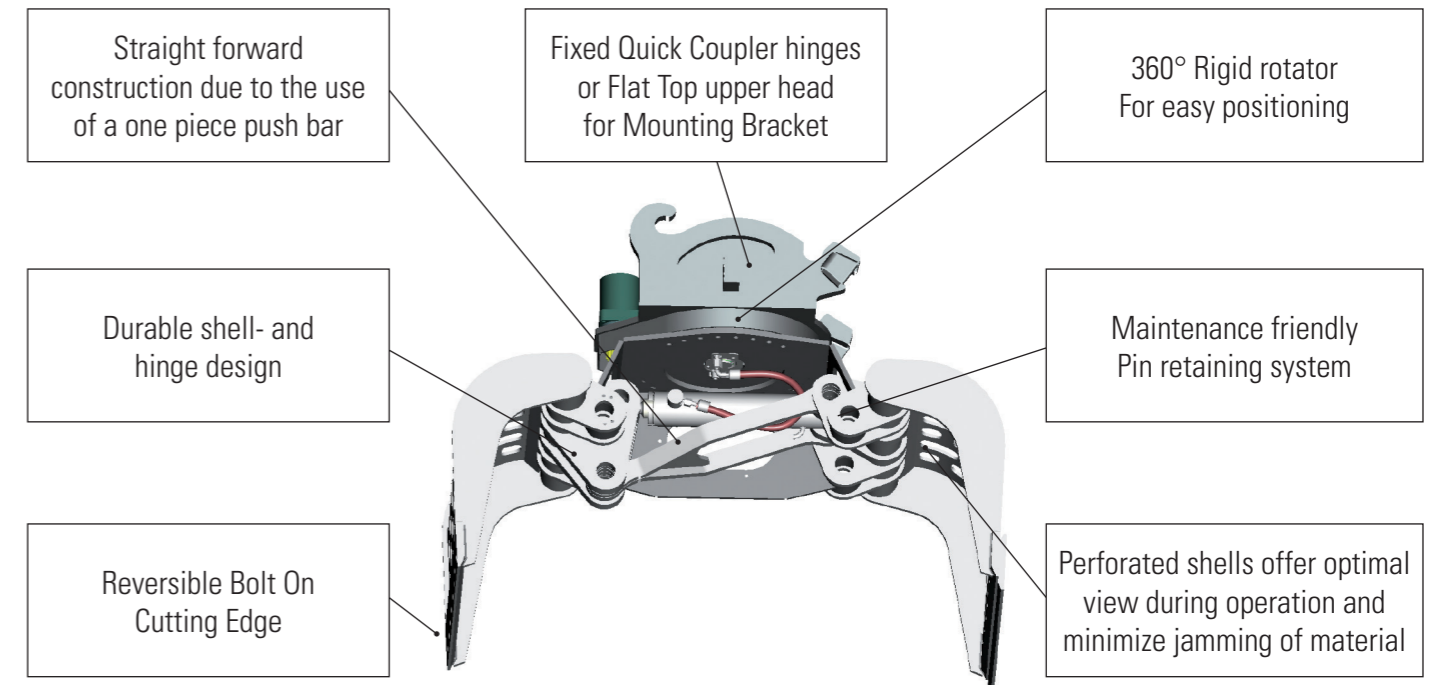
Built for your bottom line

The GC grapples are built for all those, every day tasks that every worksite faces from sorting out debris to load or unload containers.



G310 GC, G313 GC, G315 GC

G300 GC Demolition and Recycling grapple



Grapple application guide		G300 GC-series
Demolition and sorting applications at demolition sites	Strip buildings or constructions	Excellent
	Selective demolition	Excellent
	Sorting construction and demolition waste	Excellent
	Loading and unloading containers	Excellent
Waste handling applications at transfer/recycling stations	Extract recyclable waste from waste stream before transfer or landfilling	Excellent
	Cleaning sites and wharfs	Excellent
	Loading and unloading containers	Excellent

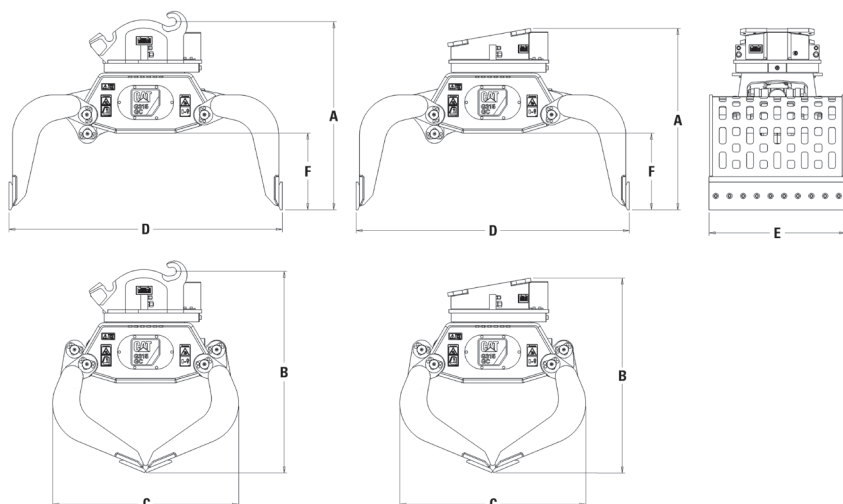
Excellent

Demolition & Sorting Grapples G300 GC-series for Excavators

Specifications

G300 GC Specifications	G310 GC	G313 GC	G315 GC	G310 GC	G313 GC	G315 GC
	CAN-20 (Fixed upper head)			Dpt.20 (Flat Top upper head)		
Operating weight (kg)	865	895	1200	814*	845*	1142*
Height open (mm) A	1272	1272	1365	1223	1223	1326
Height closed (mm) B	1365	1365	1475	1315	1315	1427
Shell spread closed (mm) C	1227	1227	1360	1227	1227	1360
Shell spread open (mm) D	1788	1800	2000	1788	1800	2000
Shell width (mm) E	850	950	1000	850	950	1000
Height under the housing (mm) F	513	513	560	513	513	560
Capacity (liter)	400	450	600	400	450	600
Operating max press Open/Closing (kPa)	35000	35000	35000	35000	35000	35000
Operating max press Rotation (kPa)	22000	22000	22000	22000	22000	22000
Operating Flow Open/Closing (l/min)	60	60	90	60	60	90
Operating Flow Rotation (l/min)	40	40	40	40	40	40
Closing force (kN)	36	36	52	36	36	52

* Excluding bolt-on mounting bracket



Hydraulic requirements:
Two way hydraulic high pressure lines for opening /closing and two way hydraulic medium pressure lines for rotation.

Matching guide

Demolition & Sorting Grapple

G310 GC:

G313 GC:

G315 GC:

Hydraulic Excavator

Cat 311D RR, 311F, 312D/E, 313F L GC, 314D/E CR, M313D

Cat 312D, 314D CR, 315D, M313D, M315D, M316D

Cat 315D, 316E, 318E, M315D, M316D, M318D, M318D MH

Matches are for indication only and depend on machine configuration and application.



For more complete information on Cat products, dealer services, and industry solutions, visit us on the web at www.cat.com

AEHQ7118-00 (Q2-2014)

© 2014 Caterpillar - All Rights Reserved

Materials and specifications are subject to change without notice.

Featured machines in photos may include additional equipment. See your Caterpillar dealer for available options.

CAT, CATERPILLAR, their respective logos, "Caterpillar Yellow" and the POWER EDGE trade dress, as well as corporate and product identity used herein, are trademarks of Caterpillar and may not be used without permission.

