



# Cat<sup>®</sup> AP655

## Asphalt Paver

***The Cat<sup>®</sup> AP655 asphalt paver is a rubber track paver that delivers a high-return on investment. This high-production paver offers a fast-heating screed system, durable components, and easy to use technology, while consuming less fuel. A variety of screed choices provide versatility and high-quality results on interstates, highways, airports, and parking lots.***

### High Return on Investment

- Exclusive 70 kW integrated generator delivers fast, reliable screed heating and is designed for long life by the same team that developed the D7E electric drive dozer
- Fast heating screed leads to more daily production, heating time in as little as 15 minutes
- Mobil-trac<sup>™</sup> undercarriage design delivers excellent traction, good flotation, and fast travel that helps lead to increased production
- Exclusive air flow design improves operating conditions for the crew and keeps components cooler for lasting durability

### Technology That Works For You

- Pave Start Assistant saves set-up profiles for repeatable use on future job sites including Grade Control settings, speed, paving width, paving depth, slope, crown, height, and other set-up features
- A hopper level sensor (option) with temperature indication keeps the operator informed of material height and delivery temperatures, indicators are located in each tractor display
- Exclusive screed heating system monitors elements for failure conditions and helps eliminate unnecessary replacement
- Cat<sup>®</sup> Grade Control (option) is integrated into the tractor and screed displays for optimized operator efficiency

### High Quality Results, Higher Earnings

- Versatile tamper-bar screed designs deliver excellent ride, density, and mat texture while providing superior adjustment
- Tow-point utilizes exclusive linkage design for optimal screed flotation
- Exclusive 2-speed proportional control on the screed extenders
- Cat Grade Control is a factory-integrated guidance system that helps remove irregularities from the surface and control mat thickness for increased production, lower operating costs, and higher profitability

### Low Owning and Operating Costs

- Exclusive Eco-mode and Automatic Engine Speed Control, reduce fuel consumption and lower sound levels for better comfort and communication
- 4-pump feeder system is designed for high production in Eco-mode, leads to lower fuel consumption
- Million cycle switches provide reliability
- Conveyor bed plates and chain guards designed to minimize labor requirements and provide lower cost replacement
- Heating elements slide-out for easy replacement
- Machined screed frames simplify screed plate replacement
- Enhanced hopper flashing with increased memory and temperature resiliency offers better performance during truck exchanges



# Cat® AP655 Asphalt Paver

---

## More Comfort

- Ventilation system draws fumes from the auger chamber and redirects them away from the operator for a more comfortable working environment
- Dual operating station provide back-up capability and complete control from either side of the machine, each station can swing-out beyond the frame for good all-around visibility
- Heated seat option, pneumatic suspension, multiple adjustments, and tilting consoles provide day-long comfort
- Eco-mode provides low sound levels that supports clear communication with the crew
- High visibility 76 mm (3") seat belt helps with crew safety compliance
- USB port simplifies software updates
- Cup holders offer convenience

## Easy Viewing Displays, Simple Operation

- Touch-screen displays with adjustable brightness control enable operators to fine-tune performance in various lighting conditions
- Touch-screen access simplifies activation of the generator and auxiliary power, while also providing easy adjustments to screed plate heating temperatures, tamper and vibratory speeds, Cat Grade Control (option), and stored operator preferences
- Operating displays can be tailored to specific language requirements with multiple options available

## Cat Electronics

- Cat Electronic Control Modules (ECM) and ET compatibility simplifies diagnostics and trouble-shooting procedures

## Product Link™ Elite

- Make timely, fact-based decisions to maximize efficiency, improve productivity, and lower owning and operating costs
- Easily track location, machine hours, fuel usage, and idle time
- Diagnostic codes are made available through online web applications

## Service and Repair Kits

- Paver and screed service and repair kits includes the parts necessary to complete specific repairs
- Cat genuine parts are manufactured to precise specifications and designed for optimal performance and maximum uptime
- Repair kits are identified by a single part number to make ordering easy
- Select kits are available to be packaged as a kit by the dealer for over-the-counter purchases or through the dealer service shop

## Standard and Optional Equipment

Standard and optional equipment may vary. Consult your Cat dealer for details.

	Standard	Optional		Standard	Optional
<b>OPERATING ENVIRONMENT</b>			<b>MATERIAL DELIVERY</b>		
Air-ride seat		✓	Auger extensions		✓
Canopy – hard top		✓	Leveling devices		✓
Deceleration pedal		✓	Mainframe extensions – manual		✓
Dual operating stations	✓		Mainframe extensions – power		✓
Friction steering		✓	Material feed sensors – contact	✓	
Heated seats		✓	Material feed sensors – sonic		✓
Side shields		✓	Power folding front hopper apron		✓
Steering guide	✓		Push-roller – adjustable	✓	
Tow-point indicator		✓	Wash-down pump and reel		✓
Umbrella – tractor/screed		✓	Washdown tank		✓
Ventilation system		✓	Wide-width paving packages		✓
Visor – LCD screen		✓	<b>SERVICE AND MAINTENANCE</b>		
Windshield – requires hard top canopy		✓	Extended-life coolant to -35° C (-37° F)	✓	
<b>TECHNOLOGY</b>			Engine coolant heater (C4.4 engine)	✓	
Cat Grade Control		✓	Remote access drains and lubrication points	✓	
Hopper level and material temperature indication		✓	Service repair kits		✓
Pave Start Assistant		✓	Sampling ports for Scheduled Oil Sampling (S-O-S <sup>SM</sup> )	✓	
Product Link™ Elite 631 (satellite)		✓	Sight Gauges – engine coolant, hydraulic oil	✓	
Product Link Elite 641 (cellular)	✓		Uptime kit		✓
<b>POWERTRAIN</b>			<b>SAFETY</b>		
Automatic engine speed control	✓		Alarm – back-up	✓	
Ballast – front weights		✓	Horn – warning (front & rear)	✓	
Cat C4.4 – four-cylinder (EU Stage V, China NR4)		✓	Lights – working	✓	
Cat C7.1 – six-cylinder (EU Stage IIIB equivalent)		✓	Lights – roading		✓
Cooling fan – variable speed	✓		Mirror package	✓	
Eco-mode	✓		Vandal covers	✓	
Hydraulic oil – extended life	✓		Warning – LED safety beacons		✓
Mobil-trac™ belt – smooth belt		✓			
Mobil-trac belt – tread bar belt		✓			
<b>ELECTRICAL SYSTEM</b>					
1000 CCA batteries (2)	✓				
100 amp alternator	✓				
12-volt power receptacle	✓				
24-volt charging system	✓				
Automotive-type fuse system	✓				
Auxiliary power panel – 6.6 kW		✓			
Cat Electronic Technician (Cat ET)	✓				
Generator – 70 kW	✓				
Machine security – wire ready	✓				
Remote jump-start receptacle	✓				

# Cat® AP655 Asphalt Paver

## Technical Specifications

### PowerTrain

Engine model	Cat C4.4	
Rated power @ 2200 rpm	129 kW	173 hp
Global emissions: <i>EU Stage V equivalent, China NR 4</i>		
Engine model	Cat C7.1	
Rated power @ 2200 rpm	151 kW	202 hp
Global emissions: <i>EU Stage IIIB equivalent</i>		
Speed – paving	25 mpm	82 fpm
Speed – travel	14.5 km/hr	9 mph

### Machine Weight

Paver only (shipping)	15 754 kg	34,731 lb
w/SE50 VT screed (operating)	19 530 kg	43,056 lb
w/SE60 VT XW screed (operating)	21 052 kg	46,411 lb

*Operating Weights are approximate and include coolant, lubricants, full fuel tank, and 75 kg (165 lb) operator.*

### Service Refill Capacities

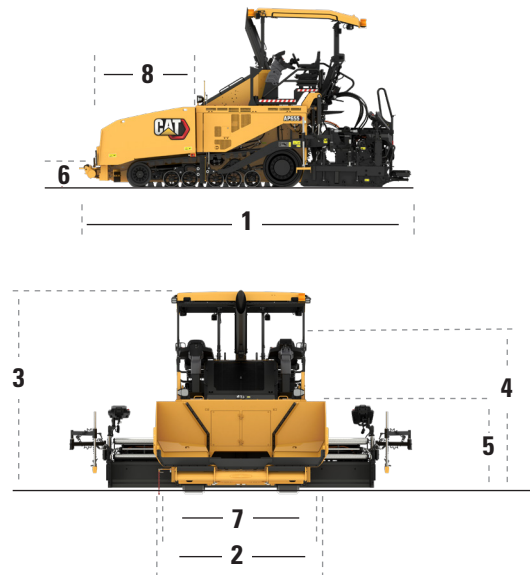
Maximum throughput capacity	1300 Tonnes	1433 Tons
Cooling system – C4.4 engine	31 L	8 gal
Cooling system – C7.1 engine	37 L	9.8 gal
Diesel exhaust fluid (DEF) – C4.4 engine	19.1 L	5 gal
Engine oil – C4.4	13.5 L	3.6 gal
Engine oil – C7.1 engine	15.5 L	4.1 gal
Fuel tank	278 L	73 gal
Hydraulic tank	219 L	58 gal
Washdown spray tank	30 L	7.9 gal

### Paving Range With Extensions

SE50 VT screed	2.55 m - 8.0 m	8' 4" - 26' 4"
SE60 VT XW screed	3.0 m - 10.0 m	10' - 33'
Paving depth	305 mm	12"

### Dimensions

1	Operating length w/SE50 VT	6831 mm	22' 5"
	Shipping length w/SE50 VT	6666 mm	21' 10"
	Shipping width w/end gates - SE50 VT	2762 mm	9' 1"
	Shipping width w/folded end gates - SE50 VT	2550 mm	8' 4"
	Operating length w/SE60 VT XW	7034 mm	23' 1"
	Shipping length w/SE60 VT XW	6910 mm	22' 8"
	Shipping width w/end gates - SE60 VT XW	3211 mm	10' 6"
	Shipping width w/end gates folded - SE60 VT XW	3000 mm	9' 10"
2	Operating width	3306 mm	10' 10"
3	Operating height	3889 mm	12' 9"
4	Shipping height	3056 mm	10'
5	Operating platform height	1792 mm	5' 10"
6	Truck entry height	529 mm	21"
7	Truck entry width	3194 mm	10' 6"
8	Hopper length with push roller extended	2414 mm	7' 11"
	Auger diameter	406 mm	16"



For more complete information on Cat products, dealer services, and industry solutions, visit us on the web at [www.cat.com](http://www.cat.com)

© 2022 Caterpillar  
All rights reserved

Materials and specifications are subject to change without notice. Featured machines in photos may include additional equipment. See your Cat dealer for available options.

CAT, CATERPILLAR, LET'S DO THE WORK, their respective logos, "Caterpillar Corporate Yellow," the "Power Edge" and Cat "Modern Hex" trade dress as well as corporate and product identity used herein, are trademarks of Caterpillar and may not be used without permission.

VisionLink is a trademark of Trimble Navigation Limited, registered in the United States and in other countries.

QEHO2944 (1-2022)  
Build Number:07A

